

INSTALLATION INSTRUCTIONS

48" MULCH KIT - 965 894003

IMPORTANT: BEFORE PROCEEDING, PLACE ALL CONTROLS IN THE DISENGAGED OR THE OFF POSITION, REMOVE SPARK PLUG WIRES FROM THE SPARK PLUGS.



WARNING!

Blades are sharp. Protect your hands with gloves and/or wrap blades with a heavy cloth when handling.



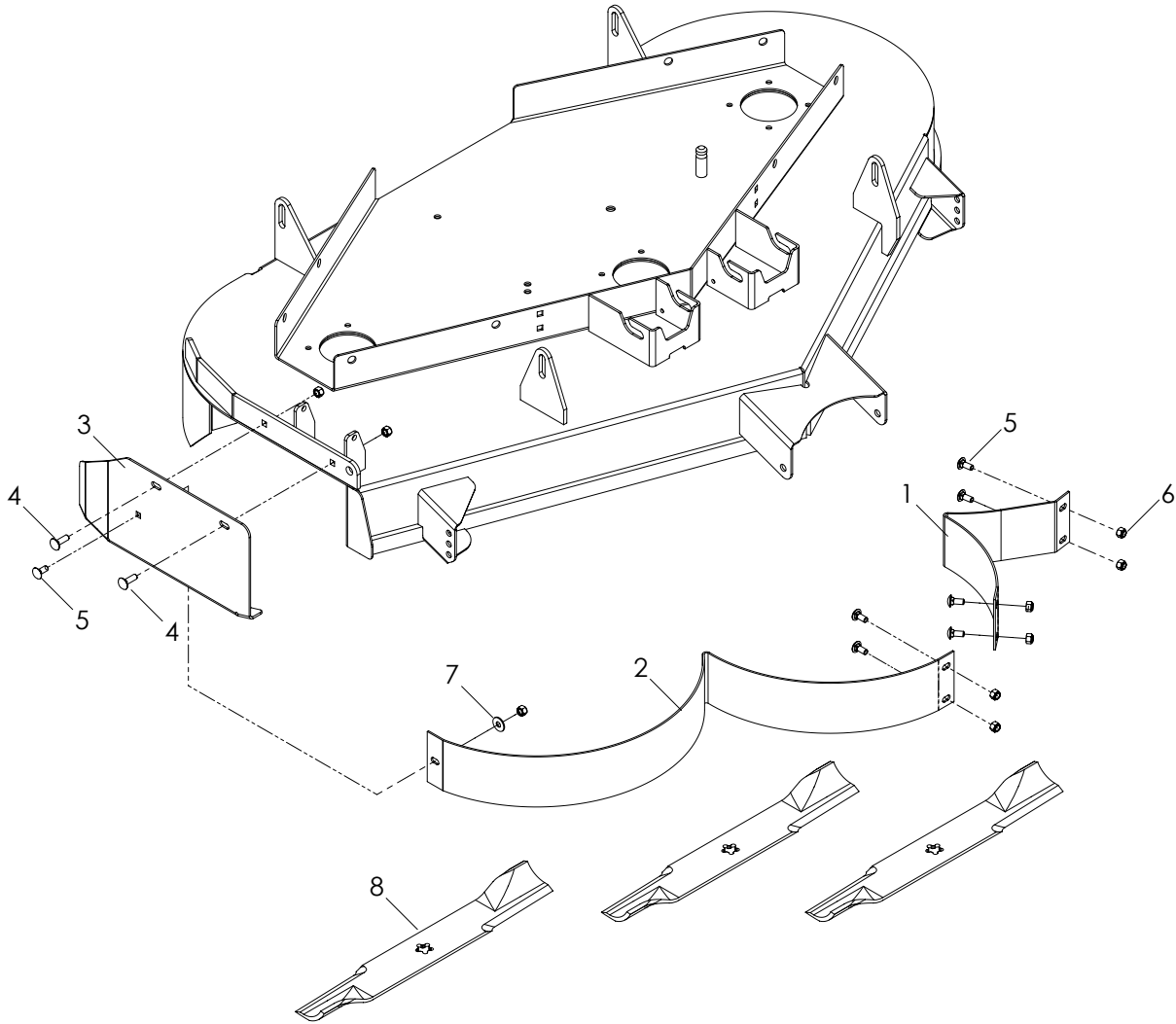
Mulching Guidelines

To ensure acceptable mulching performance:

- The length of grass to be cut in one pass should not exceed $\frac{1}{3}$ of the total grass height.
Example: If the grass height is 3", the mower deck cutting height should be set at less than 2".
- Ground speed should normally be reduced to allow clippings to be finely mulched.
- Engine RPM should be set at maximum.
- Blades must be kept sharp.
- The underside of deck should be cleaned out often to prevent grass accumulation.
- Conditions must be dry. Wet grass does not mulch well and grass accumulates under deck.

1. Block the front of the mower up to give access to the underside of the front deck. Carefully remove the cutting blades, retaining the hardware. Clean any grass out from underneath the deck.
2. Remove the two baffle sections from the kit. Using hardware provided, bolt the sections together. See parts illustration on next page for orientation of hardware.
3. With the discharge chute up and the two sections bolted together, place the baffle up under the deck and install with hardware provided. See parts illustration on next page for orientation of hardware.
4. Using hardware provided, fasten the mulch cap to the deck and baffle.
5. Install the kit mulching blades using the existing hardware (torque to 90 ft./lbs.). Rotate the blades by hand and check for clearance of all baffles.
6. Make sure all hardware is tight.
7. Remove blocks and return the mower to its normal position.

PARTS LIST



ITEM	PART NO.	QTY.	DESCRIPTION
1	539 113417	1	BAFFLE, MULCH, LEFT
2	539 113419	1	BAFFLE, MULCH, RIGHT
3	539 113428	1	CAP, MULCH, 48
4	539 990208	2	RHSNB $\frac{5}{16}$ -18 x 1 GR5

ITEM	PART NO.	QTY.	DESCRIPTION
5	539 990316	7	RHSNB $\frac{5}{16}$ -18 X $\frac{3}{4}$ GR5
6	539 990717	9	NUT $\frac{5}{16}$ -18 NYLOC
7	539 990692	1	WASHER $\frac{5}{16}$
8	522 037401	3	BLADE, 16 $\frac{1}{4}$ " GATOR